

CableMaster™ 800 Plus

CableMaster™ C-Plus®



| | | Application Type | | | | | | | | |
|--------------------------|--|------------------------|--------------------|----------------------------|--------------------|---------------|-----------------------|-----------------------|--------------------------|------------|
| CableMaster™ Consumables | | Fire & Service Cabling | Metal/Nylon Straps | Small Diameter Rigid Pipes | Electrical Conduit | Catenary Wire | Flexible/Plastic Pipe | Light Duty Cable Tray | Strap, Plates & Fixtures | Data Cable |
| AU ONLY | | ✓ | ✓ | ✓ | ✓ | ✓ | ✓ | ✓ | | |
| | | ✓ | ✓ | ✓ | ✓ | ✓ | ✓ | ✓ | | ✓ |
| | | ✓ | ✓ | ✓ | ✓ | ✓ | ✓ | ✓ | | |
| | | | | ✓ | ✓ | | ✓ | ✓ | | |
| | | ✓ | ✓ | ✓ | | | | | | |
| | | | | | | | | ✓ | | |
| | | | | ✓ | | ✓ | | | | |

✓ Recommended

Important Disclaimer: Any engineering information or advice ("Information") provided by Ramset™ in this document is issued in accordance with a prescribed standard, published performance data or design software. It is the responsibility of the user to obtain its own independent engineering (or other) advice to assess the suitability of the Information for its own requirements. To the extent permitted by law, Ramset™ will not be liable to the recipient or any third party for any direct or indirect loss or liability arising out of, or in connection with, the Information.

Ramset™ Australia

Sales, Orders and Enquiries

Tel: 1300 780 063

Email: enquiry@ramset.com.au

Web: www.ramset.com.au

Keep up to date with
Ramset™ on our socials!



Ramset™ New Zealand

Sales, Orders and Enquiries

Tel: 0800 RAMSET (726738)

Email: info@ramsetreid.co.nz

Web: www.ramset.co.nz



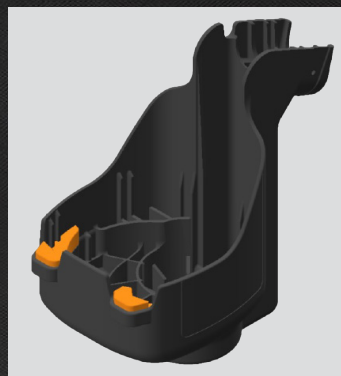
PulsaLift™ 800 Plus
Pole System to suit
CableMaster™ C-Plus®
& CableMaster™ 800 Plus

PulsaLift™ 800 Plus Pole System



Use your CableMaster™ C-Plus® or CableMaster™ 800 Plus with the flexible PulsaLift™ Plus Pole System for complete overhead installation without the need for scissor lift equipment.

- Permanent cable suspension to concrete & steel
- Pipe suspension to concrete & steel
- Fire & security cabling
- Temporary cable suspension



CableMaster™ 800 Plus cradle insert
Part Number L1 and R1 (pictured in orange).



CableMaster™ C-Plus® cradle insert
Part Number LHINSERT (pictured in orange).

INSTALLATION

The PulsaLift™ 800 Plus cradle consists of 2 elements: the cup and the retaining bolt (tethered to the cup with a steel cable).



1. Place the back of the tool (black cap first) into the cup. Make sure that the tool is fully seated.



2. Press the button of the retaining bolt (to disengage the ball bearings) and push the retaining bolt through the holes in the cage provided over the trigger. Release the retaining bolt button while making sure that the ball bearings have engaged on the other side of the holes.



3. Depending upon the application height, choose whether the extension pole is required or just the triggering pole.

OPERATION

1. Load the tool (avoid applying pressure to the trigger when doing so).
2. Hold the pole and tool vertically upwards.
3. Push the tool against the work surface to close the fastener guide of the tool.
4. Use the trigger on the pole to apply more pressure to the work surface to fire the tool.

| COMPONENTS | DESCRIPTION |
|-----------------|---|
| CRADLECM800PLUS | Cradle only |
| V4-3 | 0.9 metre (3 foot) Pole with Trigger |
| V4-EXT | 0.9 metre (3 foot) Extension Pole without Trigger |
| PL800PLUS | Complete Kit (Tool not included) |

CRADLECM800PLUS is compatible with the CM800PLUS and CMCPLUS tool.

SAFETY WARNING

Never hold onto the triggering section of the pole whilst loading clips or fasteners into the tool. Inadvertent activation can result in severe injury. Only ever fire the tool overhead while using the pole system.